

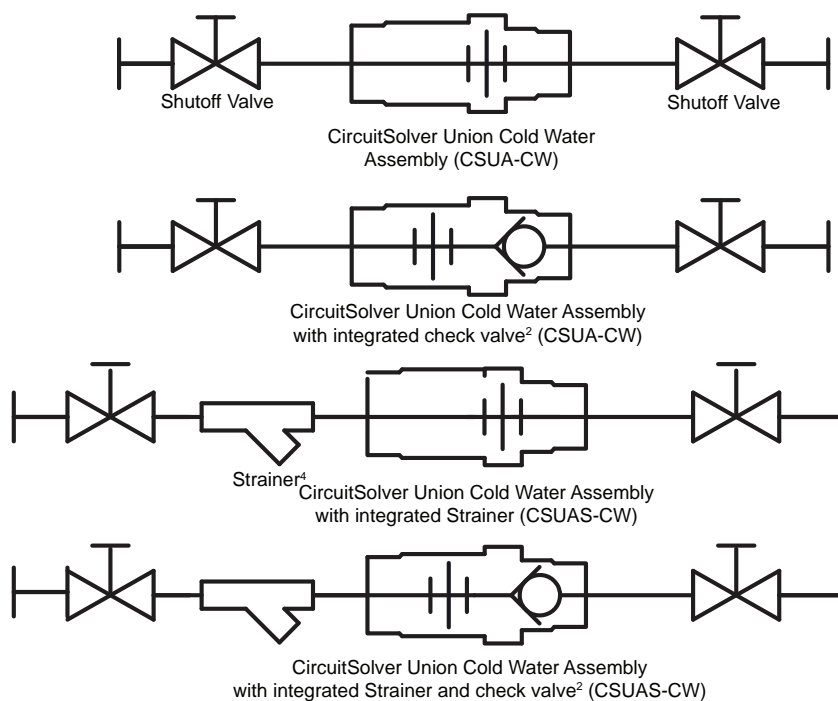
INSTALLATION INSTRUCTIONS

CSUA-CW & CSUAS-CW BALANCING VALVE

- 1) Install assembly with proper flow direction as marked on valve body. This is critical with assemblies that have an integrated check valve.
- 2) Use suitable pipe thread sealant rated for domestic water applications on all male pipe threads; if using PTFE sealant tape, make sure not to apply tape to the first thread to avoid cutting the PTFE tape and causing potential obstructions to flow.
- 3) **CircuitSolver® Union Cold Water Assemblies** are designed to be installed at the end of each domestic cold water supply just prior to the return line.
- 4) For water systems with particulate/dirt problems, consider using the **CircuitSolver® Union Cold Water Assembly** with integrated strainer if a strainer is not already used upstream.

*Strainer must be maintained in order to avoid flow obstruction.

SCHEMATIC DIAGRAMS



WARNING: This product can expose you to chemicals, for example lead, nickel, acrylonitrile, which are known to the State of CA to cause cancer, birth defects, or reproductive harm. For more information, go to www.P65Warnings.ca.gov

Warranty information disclosed at www.thermomegatech.com/terms-conditions/

Buy American to Build America®

CSUA-CW & CSUAS-CW IMI
REV: 3/16/22