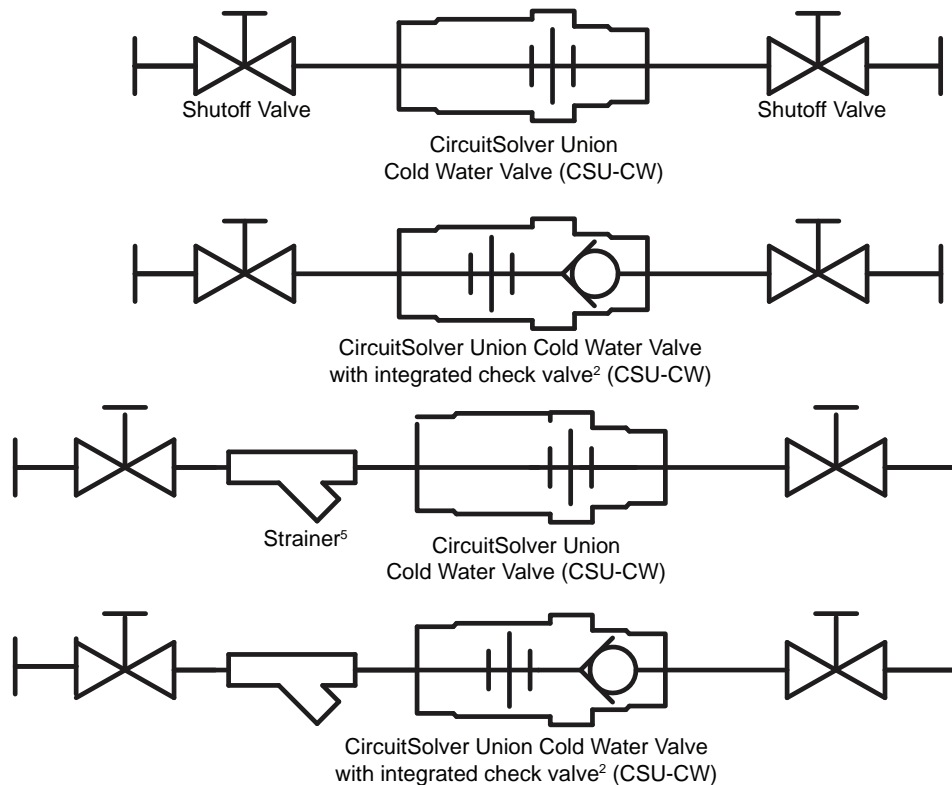


INSTALLATION INSTRUCTIONS CSU-CW BALANCING VALVE

- 1) We recommend that you use a shut off valve before and after the **CircuitSolver® Union Cold Water** valve. See schematic diagram below.
- 2) Install valve with proper flow direction as marked on valve body. This is critical with valves that have an integrated check valve.
- 3) Use suitable pipe thread sealant rated for domestic water applications on all male pipe threads except on the stainless steel **CircuitSolver® Union Cold Water** valve threads (this connection has an integrated o-ring that fully seals when hand tightened); if using PTFE sealant tape, make sure not to apply tape to the first thread to avoid cutting the PTFE tape and causing potential obstructions to flow.
- 4) **CircuitSolver® Union Cold Water** valves are designed to be installed at the end of each domestic cold water supply just prior to the return line.
- 5) For water systems with particulate/dirt problems, consider using a strainer if one is not already used upstream.
 *Strainer must be maintained in order to avoid flow obstruction.

SCHEMATIC DIAGRAMS



WARNING: This product can expose you to chemicals, for example lead, nickel, acrylonitrile, which are known to the State of CA to cause cancer, birth defects, or reproductive harm. For more information, go to www.P65Warnings.ca.gov

Warranty information disclosed at www.thermomegatech.com/terms-conditions/

Buy American to Build America®

CSU-CW IMI
 REV: 3/16/22