

THERM-O-MIX® STATION/WWM

HIGH CAPACITY INSTANT TEPID WATER SUPPLY

THE NEED

An instantaneous and reliable source of tepid water for a safety shower/eyewash system using existing hot and cold water supply.

THE PROBLEM

Conventional mixing valves are unsuitable for providing tepid water at safety shower/eyewash stations. Conventional mixing valves shut off entirely if either the hot or cold water supply is interrupted. This is dangerous and unacceptable for safety shower/eyewash stations where cold water must be available under all circumstances. To meet OSHA and ANSI recommendations it is required to have a system which can respond safely to both hot water and cold water supply failures.

THE SOLUTION

The Therm-O-Mix® Station/WWM is composed of a WM-1 mixing valve acting in concert with its unique PWM-1 pressure sensing controller. This controller assures cold water will flow to the shower and eyewash stations even if no hot water is available (provided the cold water supply is not shut off elsewhere in the system). This is accomplished using self-operating controls with no electricity nor air required.



TRIPLE REDUNDANT SAFETY CONTROLS

PWM-1 Pressure Sensing Controller:

The Therm-O-Mix® Station/WWM's WM-1 mixing valve acting in concert with its unique PWM-1 pressure sensing controller. This controller assures cold water will flow to the shower and eyewash stations even if no hot water is available (provided the cold water supply is not shut off elsewhere in the system). This is accomplished using self-operating controls with no electricity nor air required.

V-4 Final Safety Control:

This control element senses the final water temperature and will position the PWM-1 pressure sensing controller to close off the hot water port of the mixing valve if the final water temperature is above 90°F (32°C).

WM-1 Mixing Valve:

The primary temperature control device is Therm-Omega-Tech's three-way mixing valve. This valve is designed around our exclusive Thermoloid® sensor/actuator that automatically and accurately proportions the water flow in response to outlet water temperature. This mixing valve simultaneously modulates both the hot and cold water inlet ports to provide 85°F (29°C) water to the shower/eyewash station.

THERM-O-MIX® STATION/WWM

HIGH CAPACITY INSTANT TEPID WATER SUPPLY

PARTS & MATERIALS

ITEM	DESCRIPTION	MATERIAL
1	WATER MIXING VALVE (V1)	Bronze Casting
2	PRESS. SENS. CONTROLLER	Bronze Casting
3	FINAL SAFETY CONTROL (V4)	Brass
4	FLEXIBLE TUBING	SS Braided PTFE

OPERATION

After water flow is activated at the shower or eyewash, the outlet water temperature will reach 85°F (29°C) when hot water arrives at the mixing valve. The mixing valve then blends the hot and cold water to produce an output of 85°F (29°C) water.

BENEFITS

- All components are in-line serviceable
- Easy to retrofit on existing shower or combination shower/eyewash stations
- Maintains constant 85°F (29°C) output
- All self-operating controllers - no power required
- Utilizes existing hot and cold water supply
- Optional durable, all weather version in high visibility LDPE enclosure available

DESIGN FEATURES

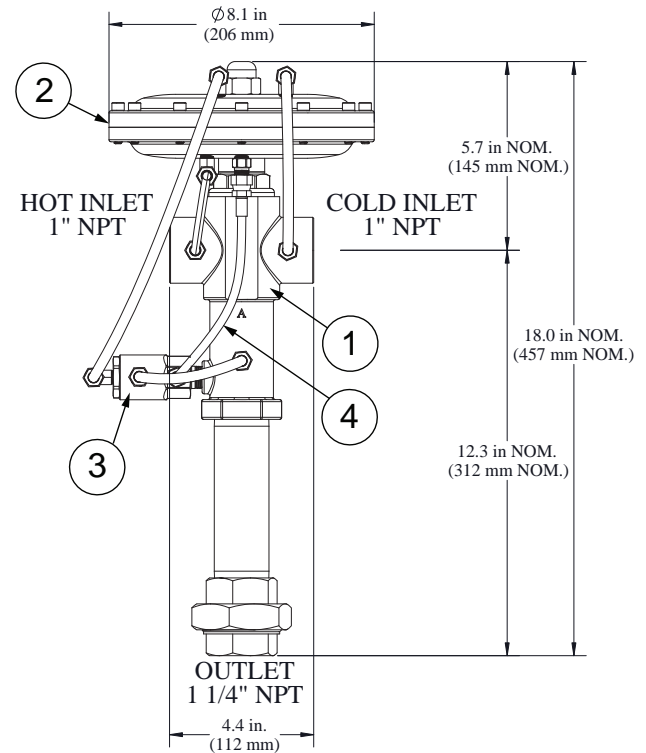
- Cv = 10.0
- Conforms to OSHA and ANSI recommendations
- Provides 85°F (29°C) tepid water from 3 GPM (11.4 L/min) to 25 GPM (113.7 L/min) with water inlet pressure of at least 40 PSIG (2.8 BAR)
- Compact, lightweight (under 15 lbs/6 kg) design easily supported by piping connections

ORDERING

PART NUMBER	DESCRIPTION
387 - 201000 - 000	THERM-O-MIX® STATION/WWM-85°F

NOTES

1. Where unit is used as a safety shower or eyewash station, the final outlet temperature should be specified by the Facilities Medical Supervisor or other authorized personnel.
2. Additional temperatures are available, consult factory for more information: 70°F, 75°F & 80°F.
3. A #20 mesh strainer is recommended for use with all port sizes.
4. Warranty information disclosed at www.thermomegatech.com/terms-conditions/



ThermOmegaTech®, Inc.
353 Ivyland Road
Warminster, PA 18974

1-877-379-8258
www.ThermOmegaTech.com

TOMixWWM
5/1/2020

Because of continuous improvements, ThermOmegaTech®, Inc. reserves the right to change the design and specifications without notice