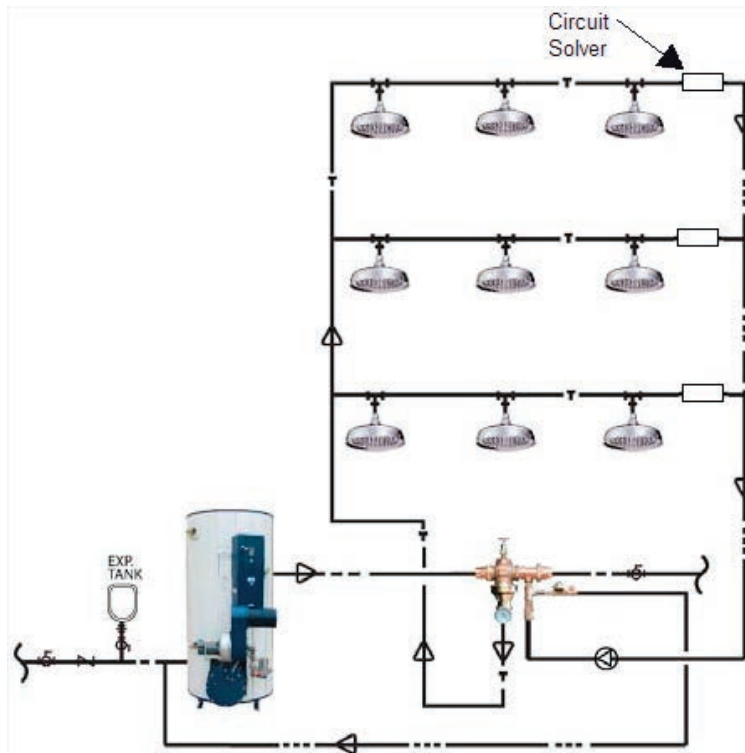


## INSTALLATION INSTRUCTIONS CS & CSU

- 1) We recommend that you use a shut off valve before and after the **CircuitSolver**®. A union should be used after the **CircuitSolver**®. See schematic diagram below.
- 2) Install valve with proper flow direction as marked on valve body. This is critical with valves that have an integrated check valve.
- 3) Use suitable pipe thread sealant rated for domestic water applications on all male pipe threads except on the stainless steel **CircuitSolver**® union threads (this connection has an integrated o-ring that fully seals when hand tightened); if using PTFE sealant tape, make sure not to apply tape to the first thread to avoid cutting the PTFE tape and causing potential obstructions to flow.
- 4) **CircuitSolver**® valves are designed to be installed at the end of each domestic hot water supply just prior to the return line. See diagram below.
- 5) For water systems with particulate/dirt problems, consider using a strainer if one is not already used upstream.  
\*Strainer must be maintained in order to avoid flow obstruction.

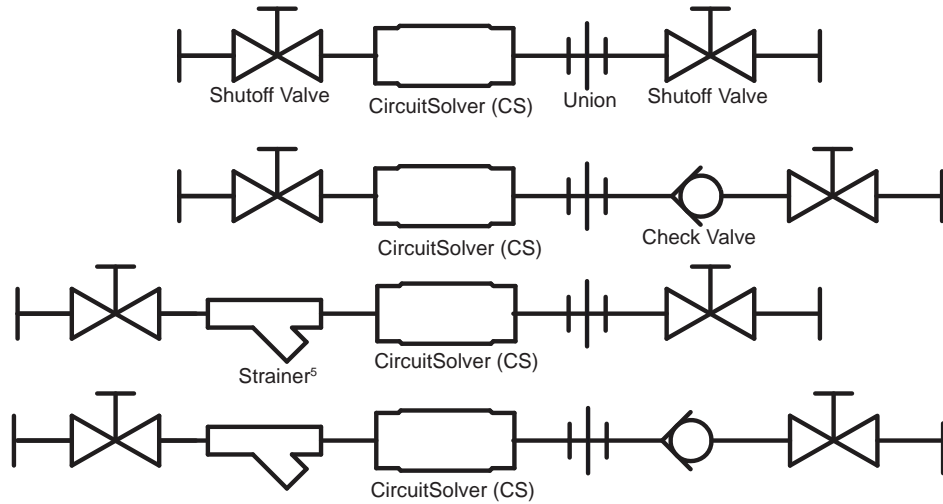
### MULTI-BRANCH PARALLEL PIPING CIRCUIT



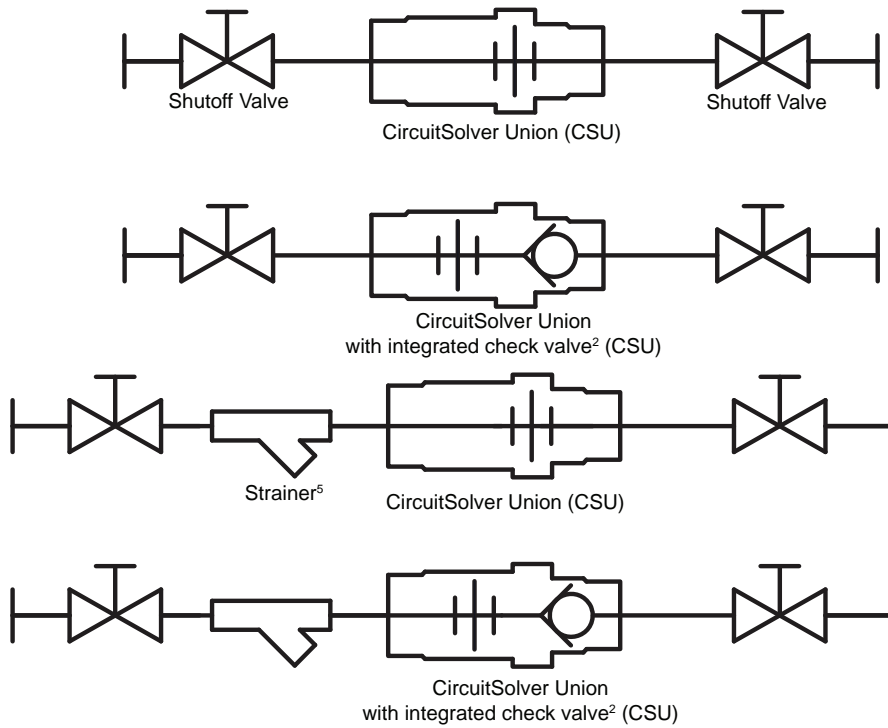
Buy American to Build America®

# SCHEMATIC DIAGRAMS

## CircuitSolver® (CS)



## CircuitSolver® Union (CSU)



WARNING: This product can expose you to chemicals, for example lead, nickel, acrylonitrile, which are known to the State of CA to cause cancer, birth defects, or reproductive harm. For more information, go to [www.P65Warnings.ca.gov](http://www.P65Warnings.ca.gov)

Warranty information disclosed at [www.thermomegatech.com/terms-conditions/](http://www.thermomegatech.com/terms-conditions/)

CS/CSU\_IMI  
REV: 1/31/20