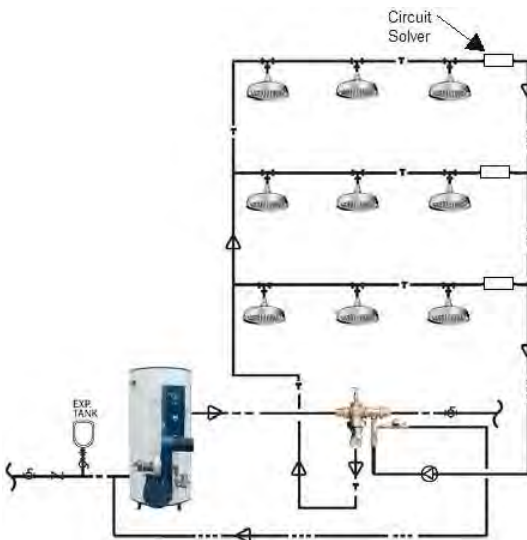
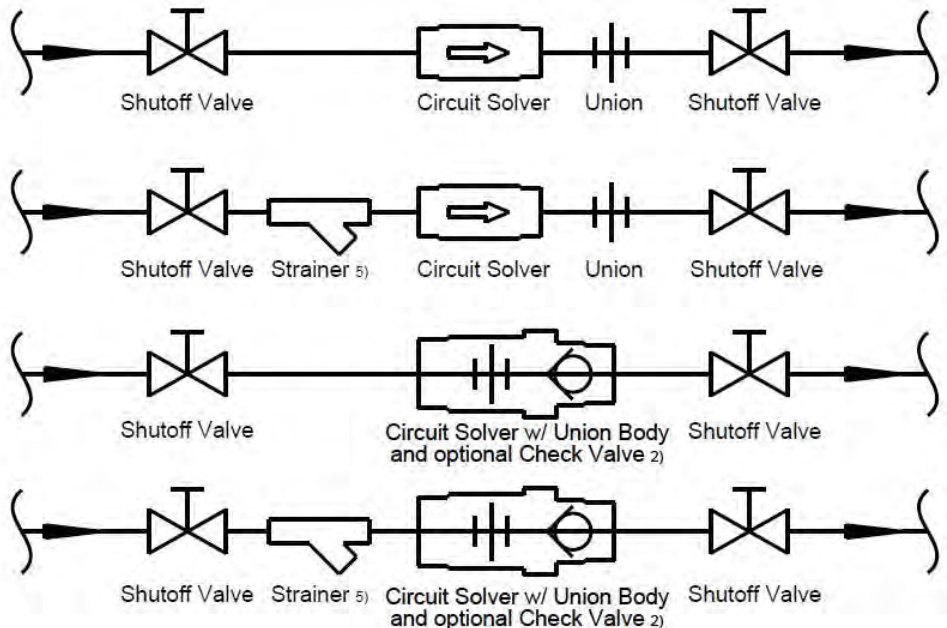


INSTALLATION INSTRUCTIONS CIRCUIT SOLVER® CS, CSU, & CSUSF

- 1) We recommend that you use a shut off valve before and after the Circuit Solver®. A union should be used after the Circuit Solver®. See schematic diagram below.
- 2) Install valve with proper flow direction as marked on valve body. This is critical with valves that have an integrated check valve.
- 3) Use suitable pipe thread sealant rated for domestic water applications on all male pipe threads except on the stainless steel Circuit Solver® union threads (this connection has an integrated O-ring that fully seals when hand tightened); if using PTFE sealant tape, make sure not to apply tape to the first thread to avoid cutting the PTFE tape and causing potential obstructions to flow.
- 4) Circuit Solver® valves are designed to be installed at the end of each domestic hot water supply just prior to the return line. See diagram below.
- 5) For water systems with particulate/dirt problems, consider using a strainer if one is not already used upstream.
**Strainer must be maintained in order to avoid flow obstruction.*



Multi-branch parallel piping circuit



Schematic diagrams

Warranty information disclosed at www.thermomegates.com/terms-conditions/